

# MarsX PORTRAIT™ IL VGT

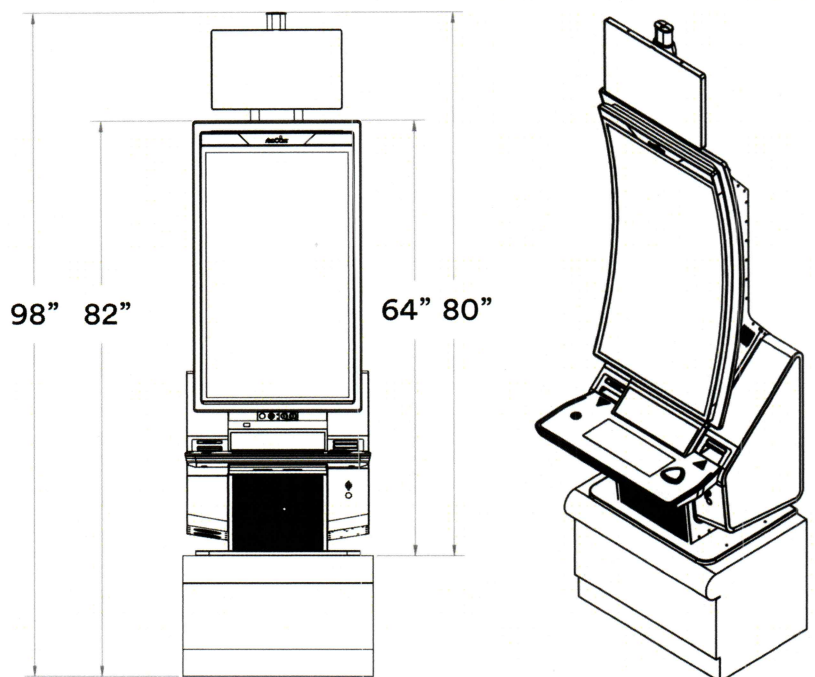


The MarsX Portrait™ is designed to spin fast and create a more intuitive and fun gaming experience. It houses the newest games Aristocrat has to offer, and its ease of serviceability and modern design helps to ensure that it always stays 'ready to play.' With Gen 9 components, exceptional performance is to be expected. The MarsX Portrait™ uniquely achieves a seamless integration of reliable game software and the most technologically advanced hardware.

## Game Suite



## Dimensions



### MarsX Portrait Specs

Height of the cabinet (w/o light tower and topper)	64.1" (1635 mm)
Width (at the front with VBD)	27.2" (690.5 mm)
Width (at back)	26.8" (680 mm)
Depth (at base)	18.1" (460 mm)
Depth (at VBD)	26.9" (684 mm)
Typical Cabinet Weight	348.3 lbs (158 kg)
Cabinet Weight with 19.5" Static Topper	368 lbs (167 kg)

### Power Consumption

120 volts, 230 volts
EGM Typical 1.6 A (120V) 0.9 A (230V)
EGM Typical (real power) 196 W (120 V) 196 W (230 V)
Typical Heat Load 669 BTU/hr
Aux Power Outlet 2 A