

ILLINOIS

IGT CrystalSlant™ Gaming Machine

You're covered from every angle.



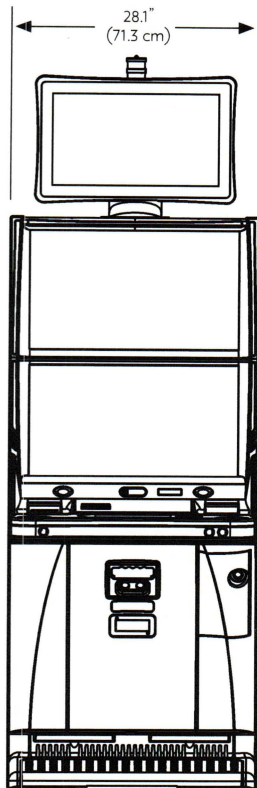
Industry-leading hardware advancements, best-in-class software, and unmatched reliability and serviceability combine to create the next-generation slant cabinet your players have been waiting for. Our newest addition to the crystal hardware series, the IGT CrystalSlant™ Gaming Machine, provides impactful, harmonious and uninterrupted interactions that will keep players coming back for more to increase your bottom line.

- Provides an enhanced yet familiar player experience with improved game play mechanics, monitor resolution, lighting and sound that keep players engaged
- Modern cabinet design with ergonomic comfort features and conveniences will attract players and increase time on device
- Superior serviceability and reliability will reduce strain on staff resources, increasing ROI

Player Experience

- **Dynamic Player Panel (DPP)**
 - Improved game play content
 - Physical "Repeat Bet" button
 - Player accepted
 - Improved reliability
- **Improved monitor resolution and clarity**
 - Full HD LCD: 1920 X 1080 resolution
 - PCT Touch Technology (main screen), and premium LCD panels for superior image clarity, color vibrancy, and better viewing angles
- **Intelligent cabinet lighting**
 - Improved attracts and celebrations

Visit igt.com to learn more

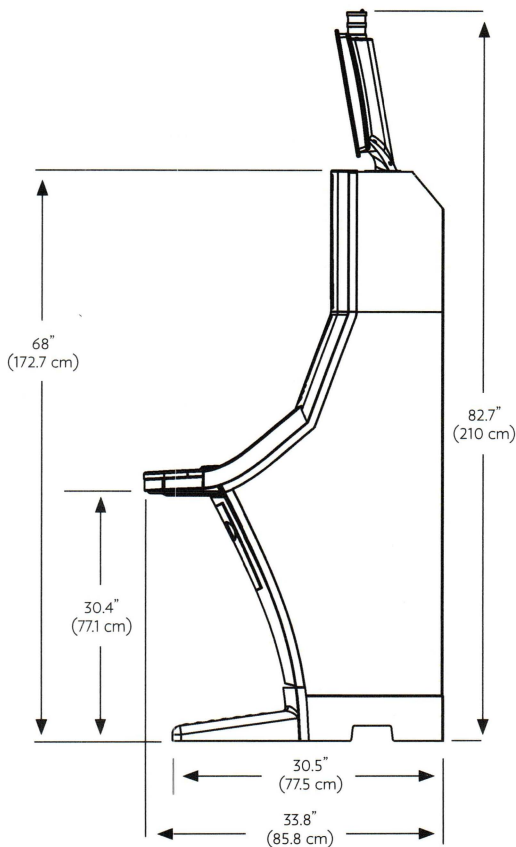


Modern Cabinet Design

- **More ergonomic**
 - Large player panel with a larger wrist support than the Universal Slant gaming machine
 - Large bash button that fits nicely in the player's hand
 - More leg room
- **Aesthetics**
 - Black chrome is featured on high end leading products
 - Consistency in look between the CrystalDual®, CrystalCore®, and S3000® gaming machines
 - Customers recognize IGT cabinets more easily
 - Video topper for increased merchandising
- **Built-in external USB charging port**
 - Players can charge their phones or other USB-powered devices at the machine for extended, uninterrupted play sessions

Serviceability & Reliability

- **Improved access to commonly serviced components**
 - Dedicated drop door
 - External accessible air filters
- **Easy access to locks and reset switches**
 - All locks and reset keys are located on the front of the machine
- **Decreased installation time**
 - Locks located in easy-to-reach locations
 - Integrated grip on top of machine to assist with moving



IGT CrystalSlant™ Gaming Machine

Weight - 348 lbs. (157.9 kg)
 Weight with topper - 370 lbs. (167.9 kg)
 Projected footprint - 6.6 ft² (0.61 m²)

Power Consumption

120 VAC 50/60 Hz	2.4 Amps
240 VAC 50/60 Hz	1.3 Amps



AVS Companies
 (888) 441-0009, (847) 439-9400
 750 Morse Avenue
 Elk Grove Village, IL 60007-5104